

# CNC Aluminum/ Carbon Multi Length Disk Damper Set - Kyosho MR03 Chassis INSTRUCTION

NEXXSPEED

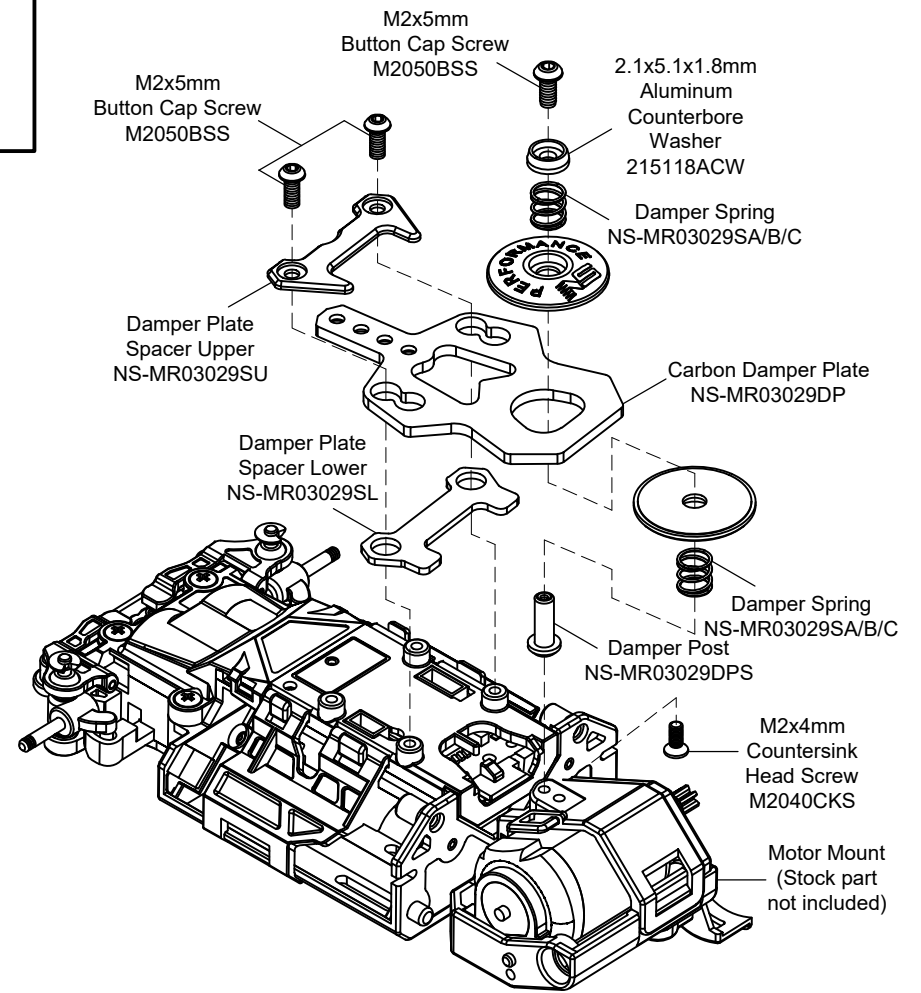
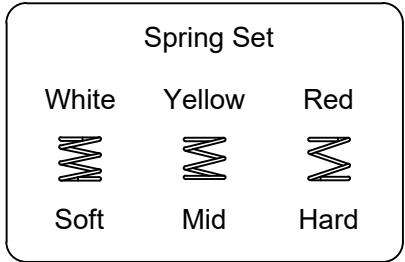
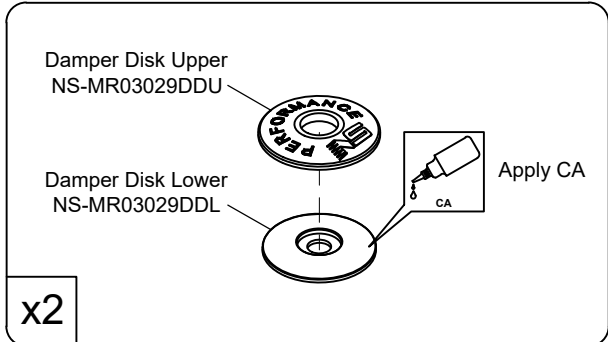
COPYRIGHT © 2023 NEXXSPEED®

## 1 ALUMINUM/CARBON MULTI LENGTH DISK DAMPER SET NS-MR03029



Apply Loctite to all screws

- |                               |   |
|-------------------------------|---|
| M2x5mm Button Cap Screw       | 2.1x5.1x1.8mm Aluminum Counterbore Washer |
| .....x3                       | .....x1                                   |
| M2x4mm Countersink Head Screw |   |
| .....x1                       |   |



**CAUTION: Please check your model car carefully before attempt to run!**

REV. MR03029-080323-01