

CNC Aluminum Dual-Spring Center Shock - MINI Z MR 03 INSTRUCTION

NEXXSPEED

COPYRIGHT © 2022 NEXXSPEED®

1 Aluminum Dual-Spring Center Shock NS-MR03028



Apply Loctite to all screws

M2x8mm Button Cap Screw



.....x1

M2x4mm Countersunk Head Screw



.....x2

3x5x1mm Rubber O-Ring



.....x1

M1.6x3mm Cap Screw



.....x2

M1.6x3mm Phillip Head Screw



.....x1

M3x3mm Set Screw



.....x1

2x5x2.3mm Radial Bearing



.....x1

3x5x1mm Rubber O-Ring
305010OR

Shock Ball
NS-MR03028SB

Ball End
NS-MR03028BE

Spring Tension Collar
NS-MR03028TC

Long Spring A
NS-MR03028LA

Shock Shaft
NS-MR03028SS

Shock Hub
NS-MR030028SH

Center Shock
NS-MR03028CS

M3x3mm Set Screw
M3030SSS

Delrin Spacer
204015SD

(2x)M1.6x3mm Cap Screw
M1630CSS

Shock Nut
NS-MR03028MMA

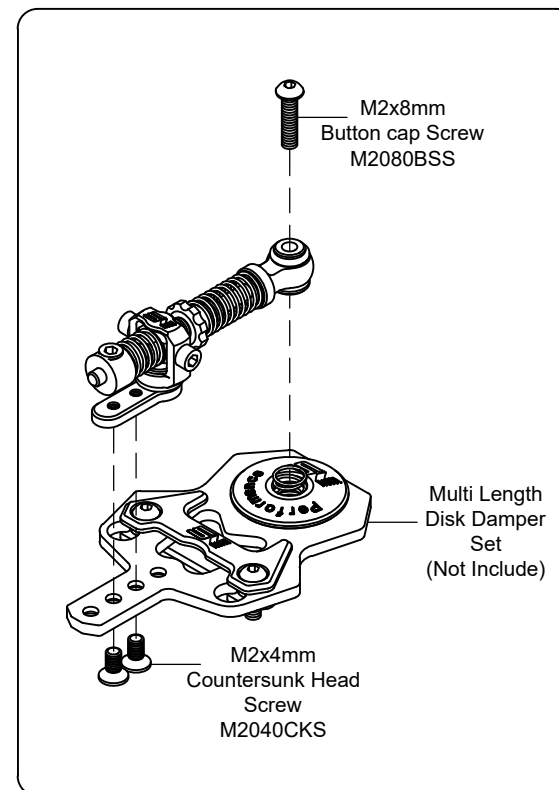
2x5x2.3mm Radial Bearing
MF682ZZ

Shock Collar
NS-MR03028SC

Short Spring A
NS-MR03028SA

Main Stand
NS-MR03028MS

M1.6x3mm Phillip Head Screw
M1630PSS



CAUTION: Please check your model car carefully before attempt to run!

REV. MR03028-241222-01