

# CNC Aluminum Hop Up Chamfer INSTRUCTION

**1**

## CNC ALUMINUM HOP UP CHAMFER NS-HUG4002



Apply Loctite

Step 01

M3x4mm Set Screw



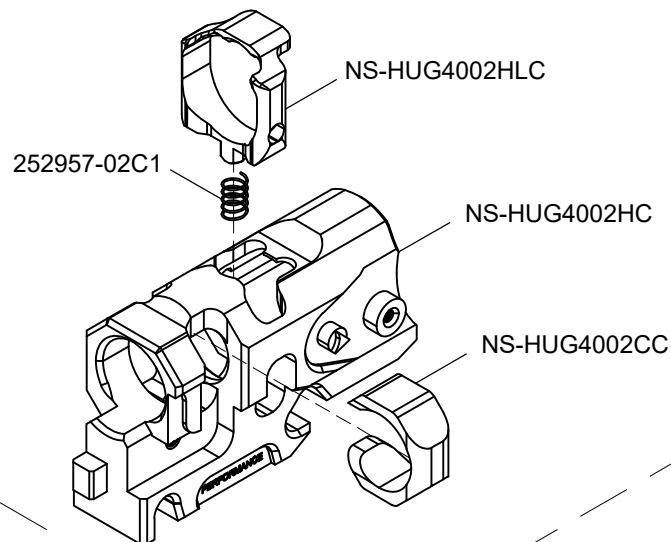
M3x8mm Set Screw



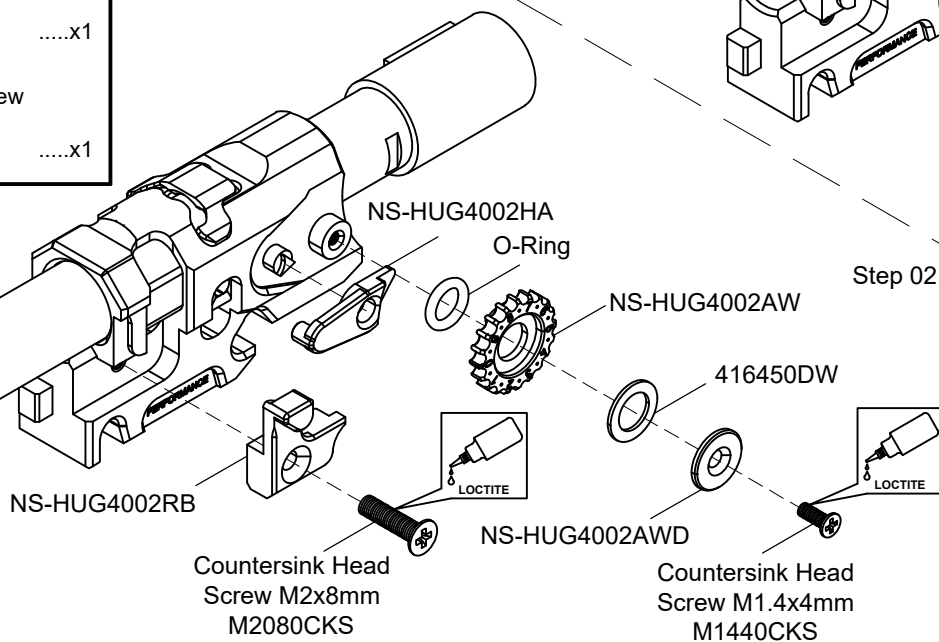
M1.4x4mm Countersunk Head Screw



M2x8mm Countersunk Head Screw



Step 03



Step 02



Set Screw  
M3x4mm  
M3040SSS



Set Screw  
M3x8mm  
M3080SSS



Apply Loctite

**CAUTION: Please check your model carefully before functioning!**

REV. HUG4002-020425-01