

# CNC Aluminum Hop Up Chamfer INSTRUCTION

NEXXSPEED

COPYRIGHT © 2024 NEXXSPEED®

1

## CNC ALUMINUM HOP UP CHAMFER NS-HUAP002H



Apply Loctite

M3x3mm Set Screw

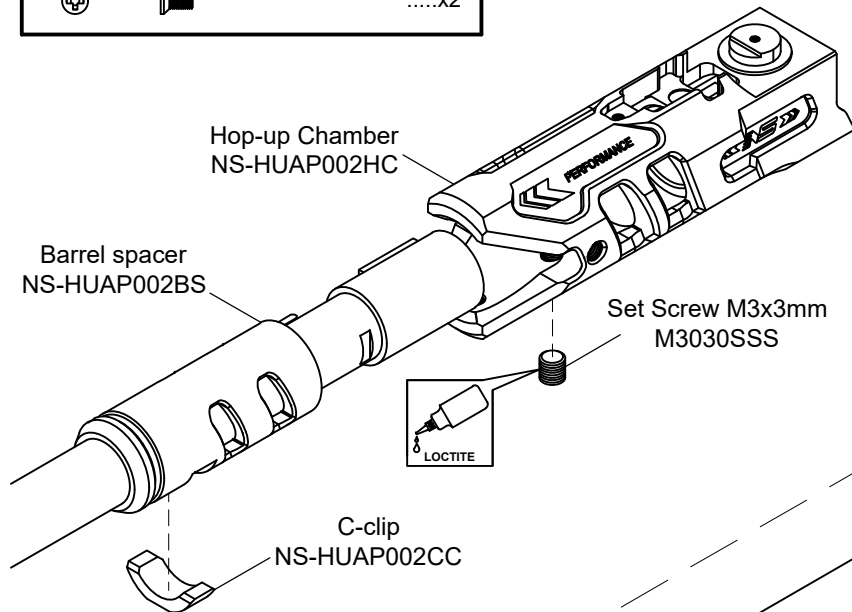


.....x1

M1.4x3mm Countersunk Head Screw



.....x2



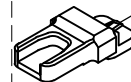
Countersink Head Screw  
M1.4x3mm  
M1430CKS



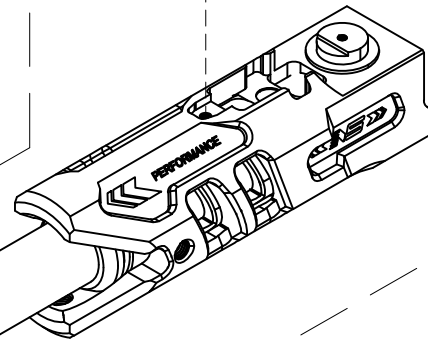
Hop-up Lever Detent  
NS-HUAP002HLD



Hop-up Lever  
NS-HUAP002HLB



Compression Spring  
252957-02C1



Countersink Head Screw  
M1.4x3mm  
M1430CKS



Adjustment wheel Detent  
NS-HUAP002AWD



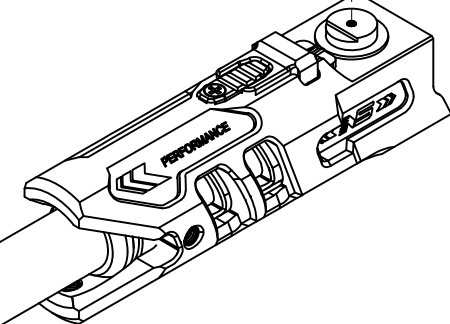
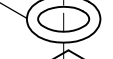
Delrin Washer



Adjustment wheel  
NS-HUAP002AW



Oring 5.5x8.5x1.5mm  
558515OR



Apply Loctite

**CAUTION: Please check your model carefully before functioning!**

REV. HUAP002H-110724-01