

CNC Aluminum Hop Up Chamfer INSTRUCTION

NEXXSPEED

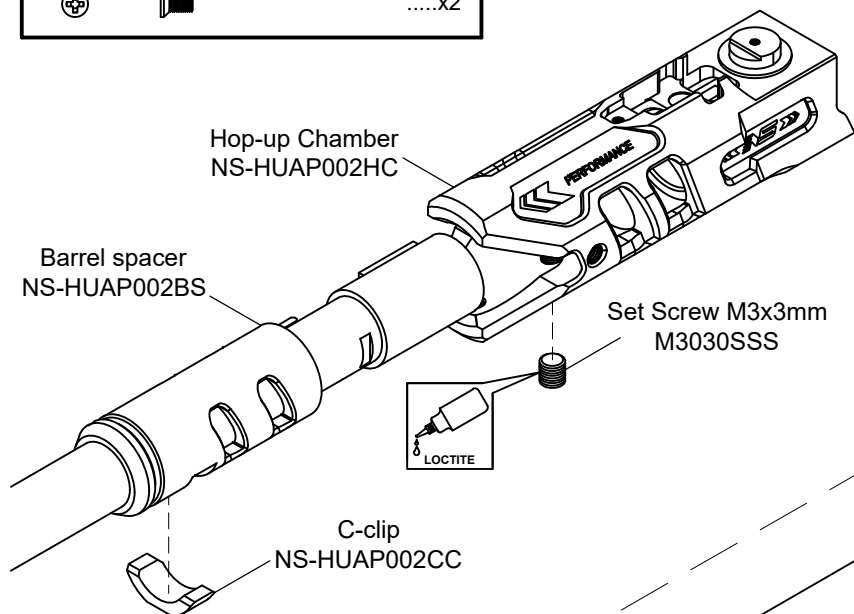
COPYRIGHT © 2024 NEXXSPEED®

1 CNC ALUMINUM HOP UP CHAMFER NS-HUAP002

M3x3mm Set Screw



M1.4x3mm Countersunk Head Screw



Apply Loctite

Countersink Head Screw
M1.4x3mm
M1430CKS



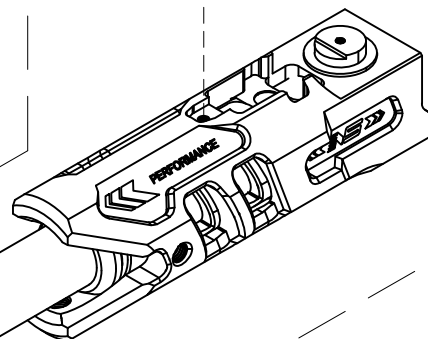
Hop-up Lever Detent
NS-HUAP002HLD

Hop-up Lever
NS-HUAP002HLA

Double-sided Tape

Soft Flat Nub
NS-HI51002TSF

Compression Spring
252957-02C1



Countersink Head Screw
M1.4x3mm
M1430CKS

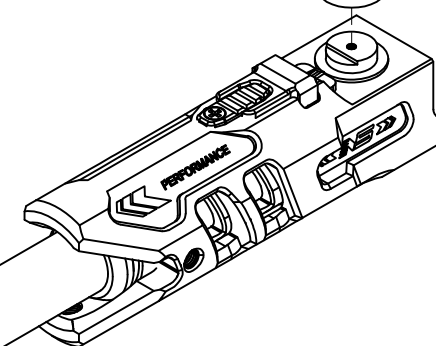


Adjustment wheel Detent
NS-HUAP002AWD

Delrin Washer

Adjustment wheel
NS-HUAP002AW

Oring 5.5x8.5x1.5mm
558515OR



Apply Loctite

CAUTION: Please check your model carefully before functioning!

REV. HUAP002-220624-01