

CNC Lightweight Selector Switch Charging Ring Kit INSTRUCTION

NEXXSPEED

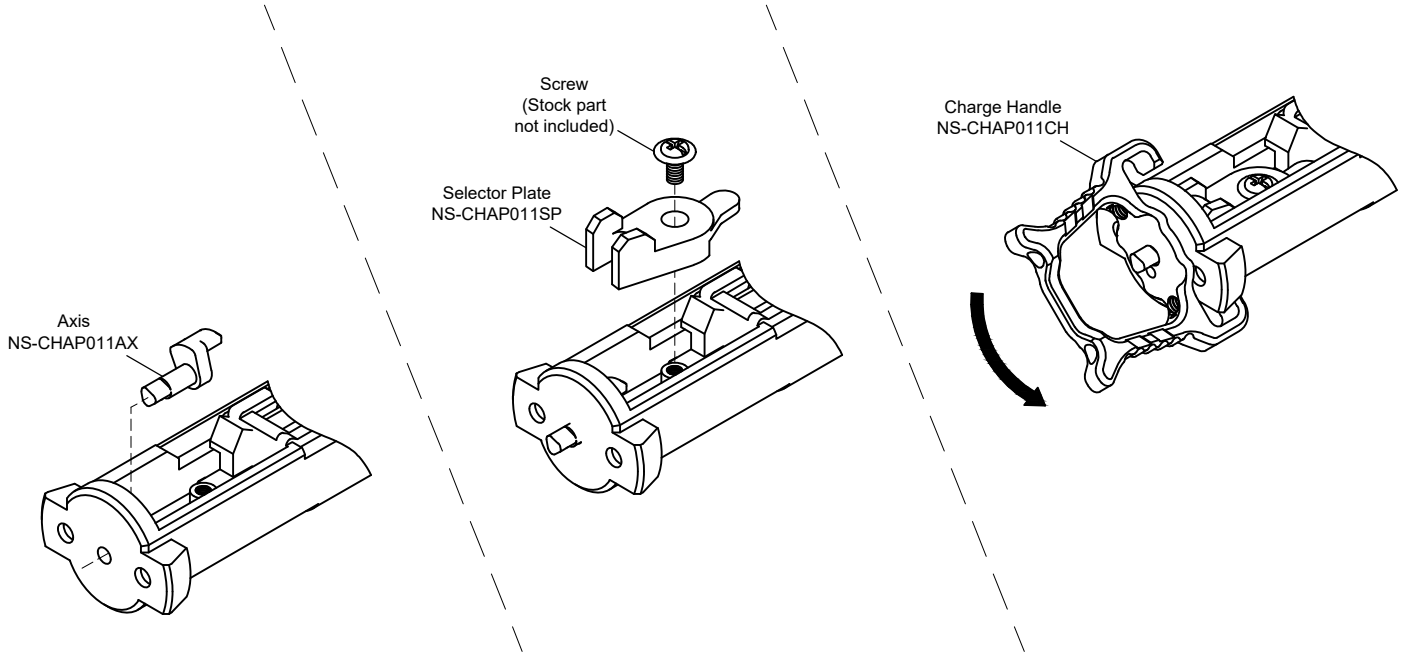
COPYRIGHT © 2024 NEXXSPEED®

1

CNC LIGHTWEIGH SELECTOR SWITCH CHARGING RING KIT NS-CRAP011



Apply Loctite



Apply Loctite

CAUTION: Please check your model carefully before functioning!

REV. CRAP011-050824-01

01

CNC Lightweight Selector Switch Charging Handle Kit INSTRUCTION

NEXXSPEED

COPYRIGHT © 2024 NEXXSPEED®

2

CNC LIGHTWEIGH SELECTOR SWITCH CHARGING RING KIT NS-CRAP011



Apply Loctite

M2x6mm Set Screw



M4x5mm Set Screw



.....x1

Ø2.38 Steel Ball



.....x2

Spring



.....x2

.....x1



Apply Loctite

M4x5mm Set Screw

M2x6mm Set Screw

Steel Ball

Knob

Spring

M2x6mm Set Screw

Steel Ball

Knob

Spring

M2x6mm Set Screw

Steel Ball

Knob

Spring

M2x6mm Set Screw

Steel Ball

Knob

Spring

M2x6mm Set Screw

Steel Ball

Knob

Spring

M2x6mm Set Screw



Apply Loctite

CAUTION: Please check your model carefully before functioning!

REV. CRAP011-050824-01

02