

CNC Lightweight Selector Switch Charging Handle Kit INSTRUCTION

NEXXSPEED

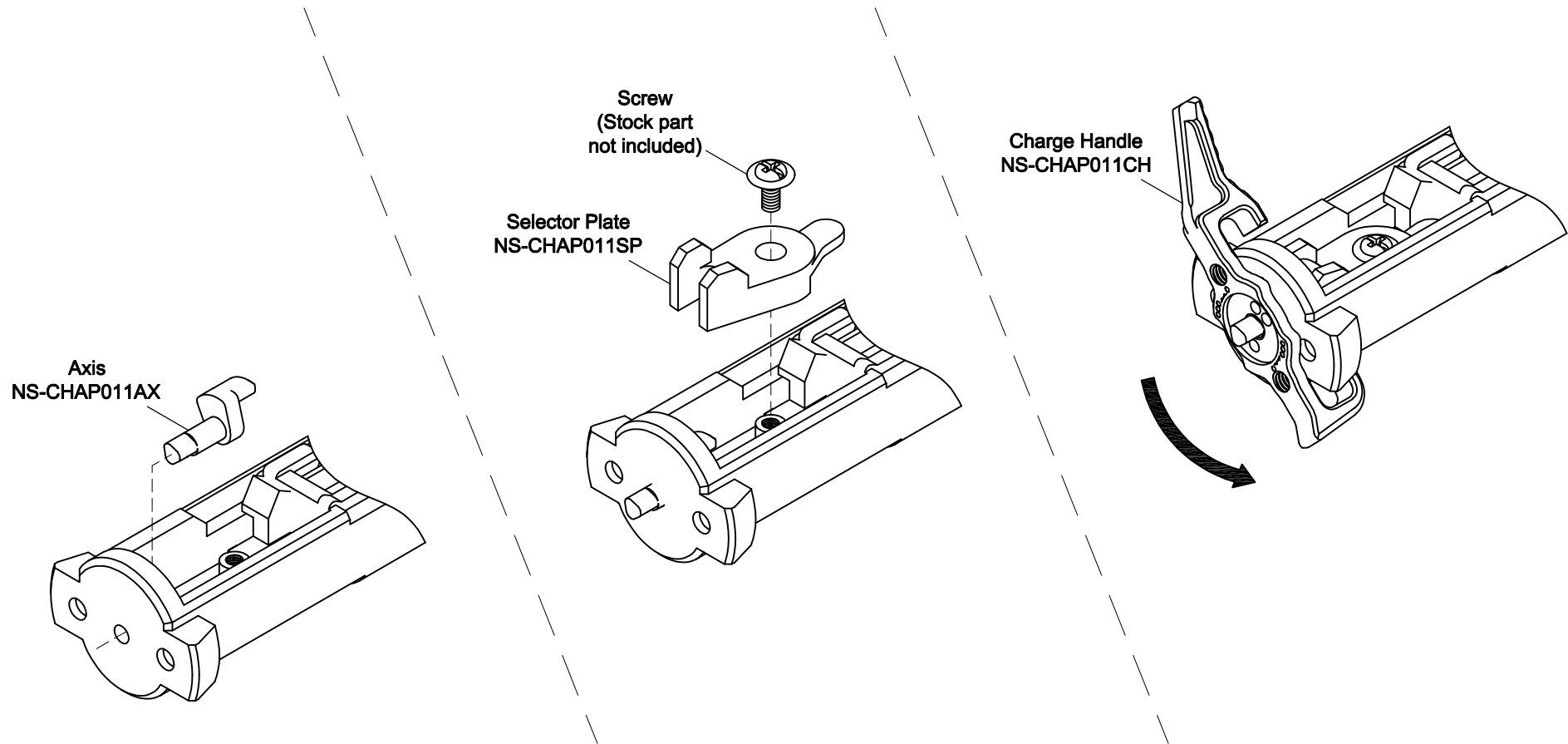
COPYRIGHT © 2024 NEXXSPEED®

1

CNC LIGHTWEIGH SELECTOR SWITCH CHARGING HANDLE KIT NS-CHAP011



Apply Loctite



Apply Loctite

CAUTION: Please check your model carefully before functioning!

REV. CHAP011-050824-01

01

CNC Lightweigh Selector Switch Charging Handle Kit INSTRUCTION

NEXXSPEED

COPYRIGHT © 2024 NEXXSPEED®

2

CNC LIGHTWEIGH SELECTOR SWITCH CHARGING HANDLE KIT NS-CHAP011



Apply Loctite

M2x6mm Set Screw



M4x5mm Set Screw



.....x1



Ø2.38 Steel Ball



.....x2



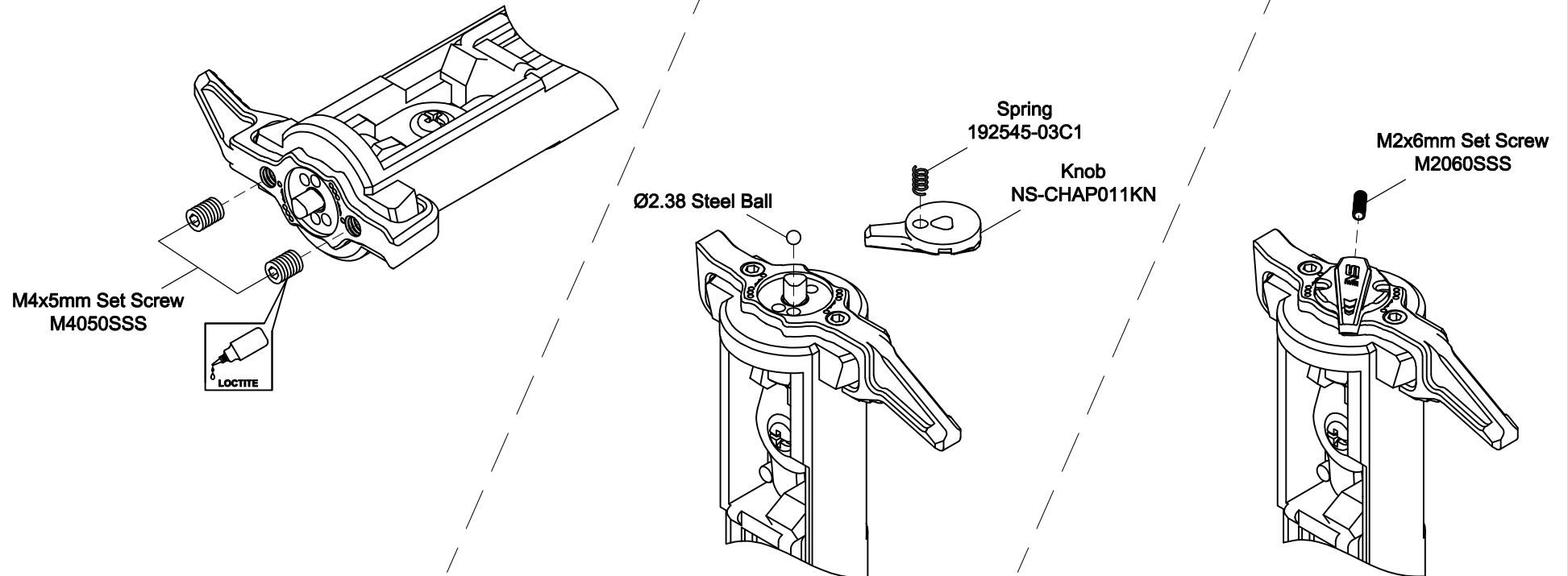
Spring



.....x2



.....x1



Apply Loctite

CAUTION: Please check your model carefully before functioning!

REV. CHAP011-050824-01

02