

CNC Aluminum/3D Printed Nighthawk Conversion Chassis Kit - AXIAL AX24 INSTRUCTION

NEXXSPEED

COPYRIGHT © 2024 NEXXSPEED®

1 CNC ALUMINUM / 3D PRINTED NIGHTHAWK CONVERSION CHASSIS KIT NS-AX24015N

M1.2x4mm Phillip Head Screw



.....x4

M1.4x4mm Phillip Head Screw



.....x12

M1.4x5mm Phillip Head Screw



.....x4

M1.4x10mm Phillip Head Screw



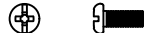
.....x8

M1.4x14mm Phillip Head Screw



.....x6

M1.6x4mm Phillip Head Screw



.....x2

Delrin Spacer



.....x4

Delrin Brace Tube



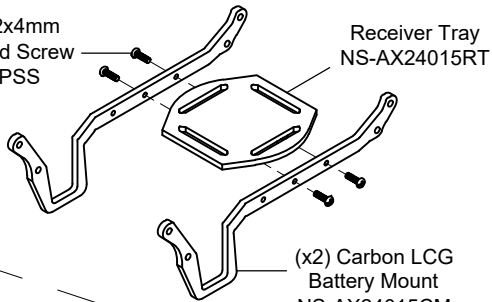
.....x6

Nut M1.4



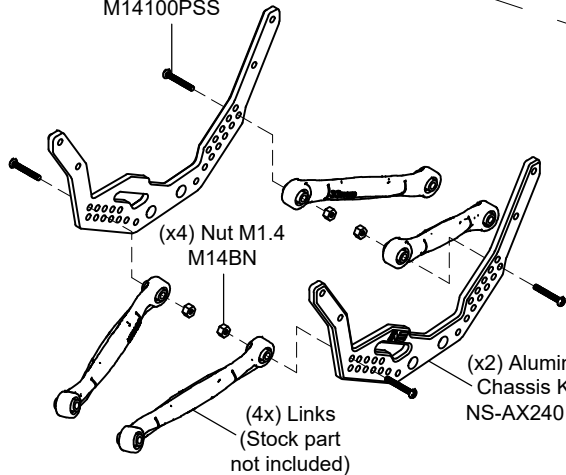
.....x4

(x4) M1.2x4mm
Phillip Head Screw
M1240PSS



(x2) Carbon LCG
Battery Mount
NS-AX24015CM

(x4) M1.4x10mm
Phillip Head Screw
M14100PSS

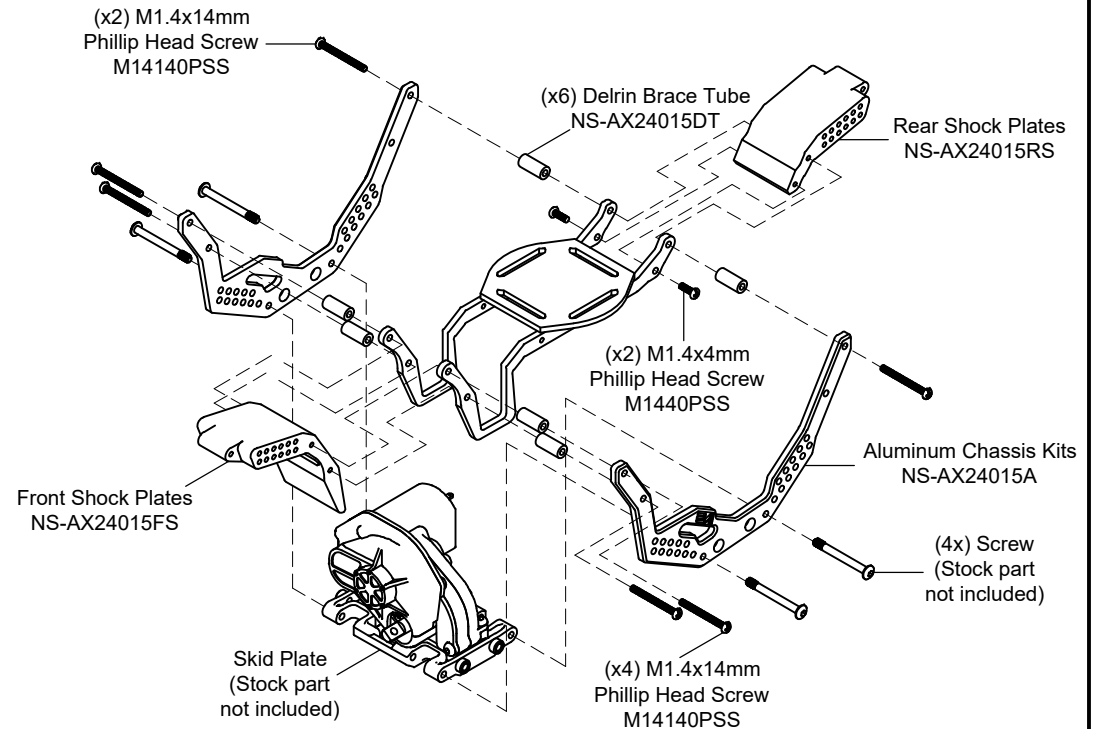


(x4) Nut M1.4
M14BN

(x2) Aluminum
Chassis Kits
NS-AX24015A

(4x) Links
(Stock part
not included)

(x2) M1.4x14mm
Phillip Head Screw
M14140PSS



(x6) Delrin Brace Tube
NS-AX24015DT

Rear Shock Plates
NS-AX24015RS

(x2) M1.4x4mm
Phillip Head Screw
M1440PSS

Aluminum Chassis Kits
NS-AX24015A

Front Shock Plates
NS-AX24015FS

(4x) Screw
(Stock part
not included)

Skid Plate
(Stock part
not included)

(x4) M1.4x14mm
Phillip Head Screw
M14140PSS

CAUTION: Please check your model car carefully before attempt to run!

REV. AX24015N-110324-01

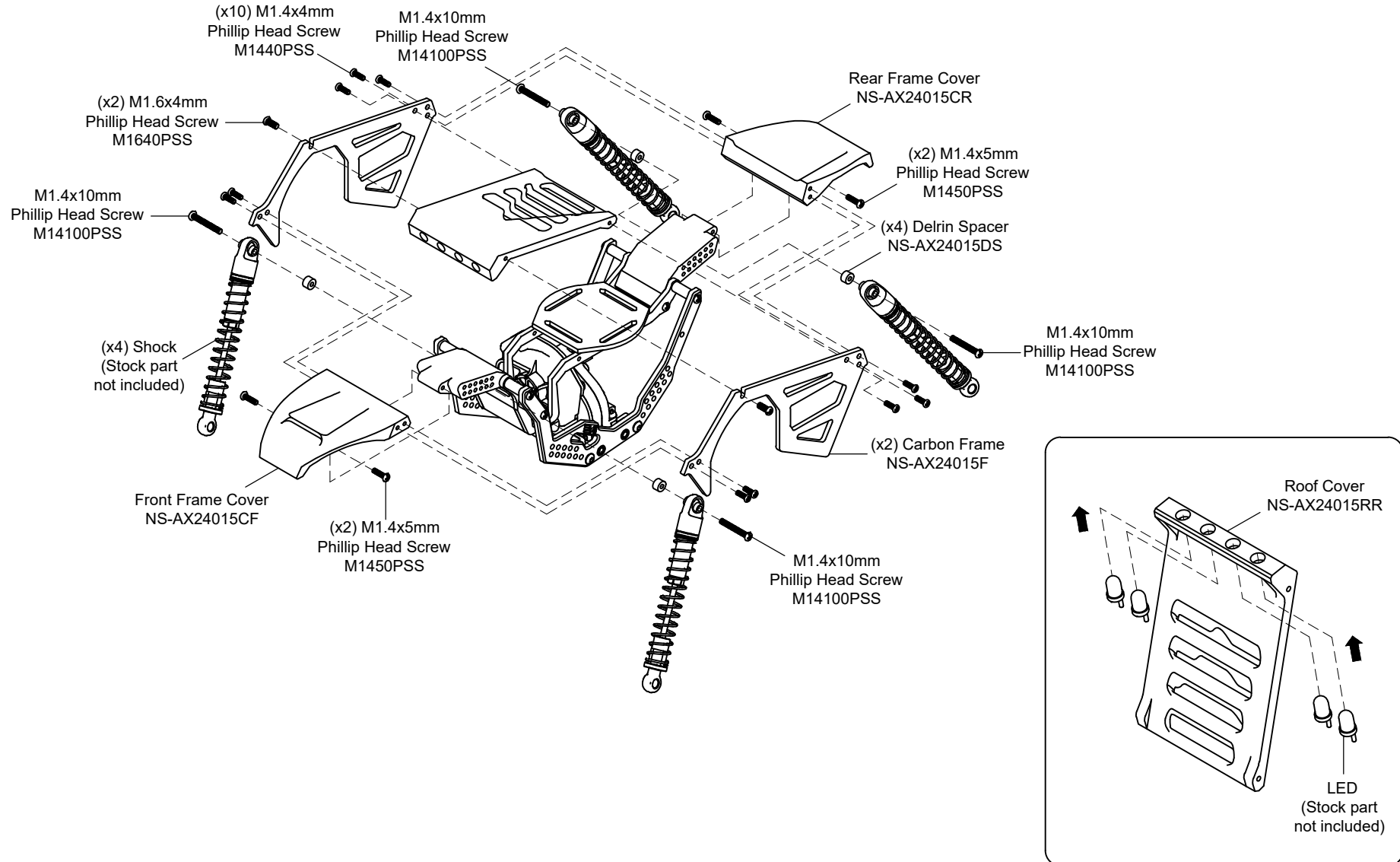
CNC Aluminum/3D Printed Nighthawk Conversion Chassis Kit - AXIAL AX24 INSTRUCTION

NEXXSPEED

COPYRIGHT © 2024 NEXXSPEED®

2

CNC ALUMINUM / 3D PRINTED NIGHTHAWK CONVERSION CHASSIS KIT NS-AX24015N



CAUTION: Please check your model car carefully before attempt to run!

REV. AX24015N-110324-01