

CNC Aluminum/Carbon LCG Chassis Kit - AXIAL AX24 INSTRUCTION

NEXXSPEED

COPYRIGHT © 2024 NEXXSPEED®

1

CNC ALUMINUM / CARBON LCG CHASSIS KIT NS-AX24015L

M1.2x4mm Phillip Head Screw



.....x4

M1.4x4mm Phillip Head Screw



.....x2

M1.4x5mm Phillip Head Screw



.....x4

M1.4x6mm Phillip Head Screw



.....x2

M1.4x10mm Phillip Head Screw



.....x8

M1.4x14mm Phillip Head Screw



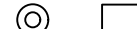
.....x6

Delrin Spacer



.....x4

Delrin Brace Tube

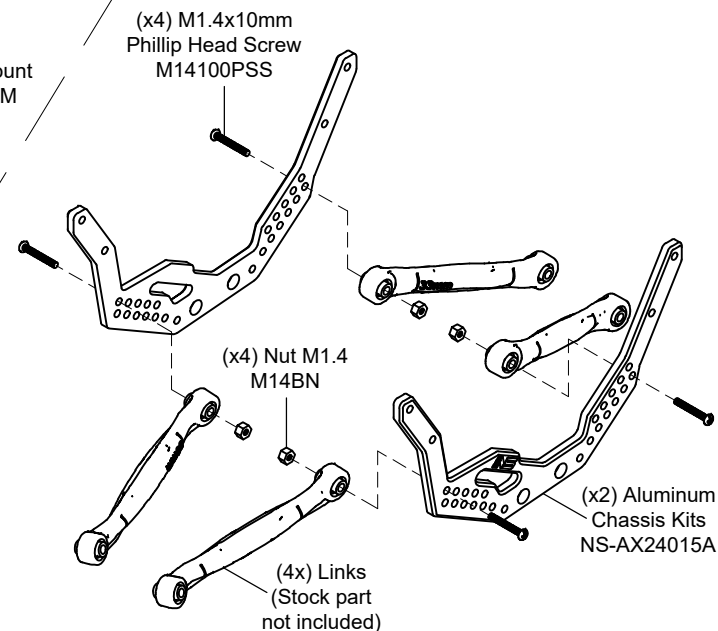
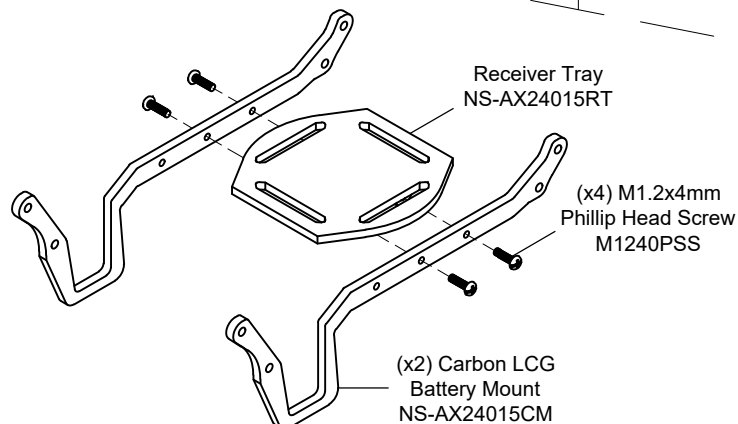
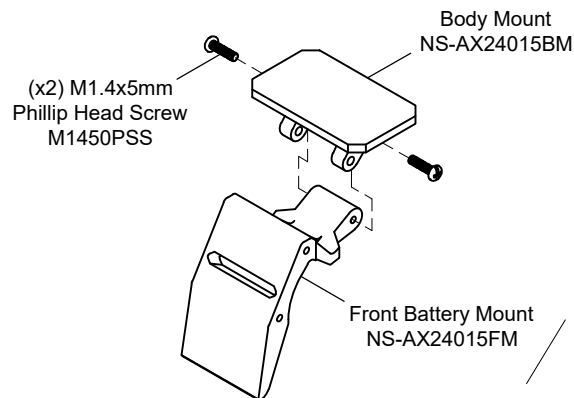
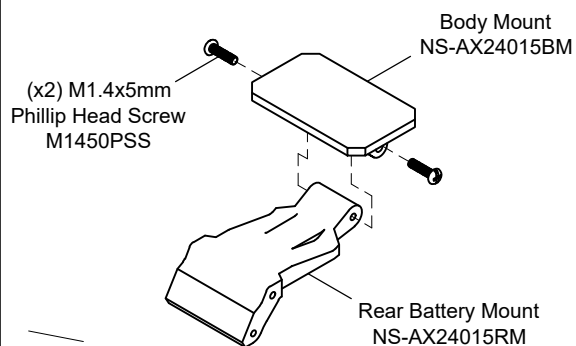


.....x6

Nut M1.4



.....x10



CAUTION: Please check your model car carefully before attempt to run!

REV. AX24015L-110324-01

01

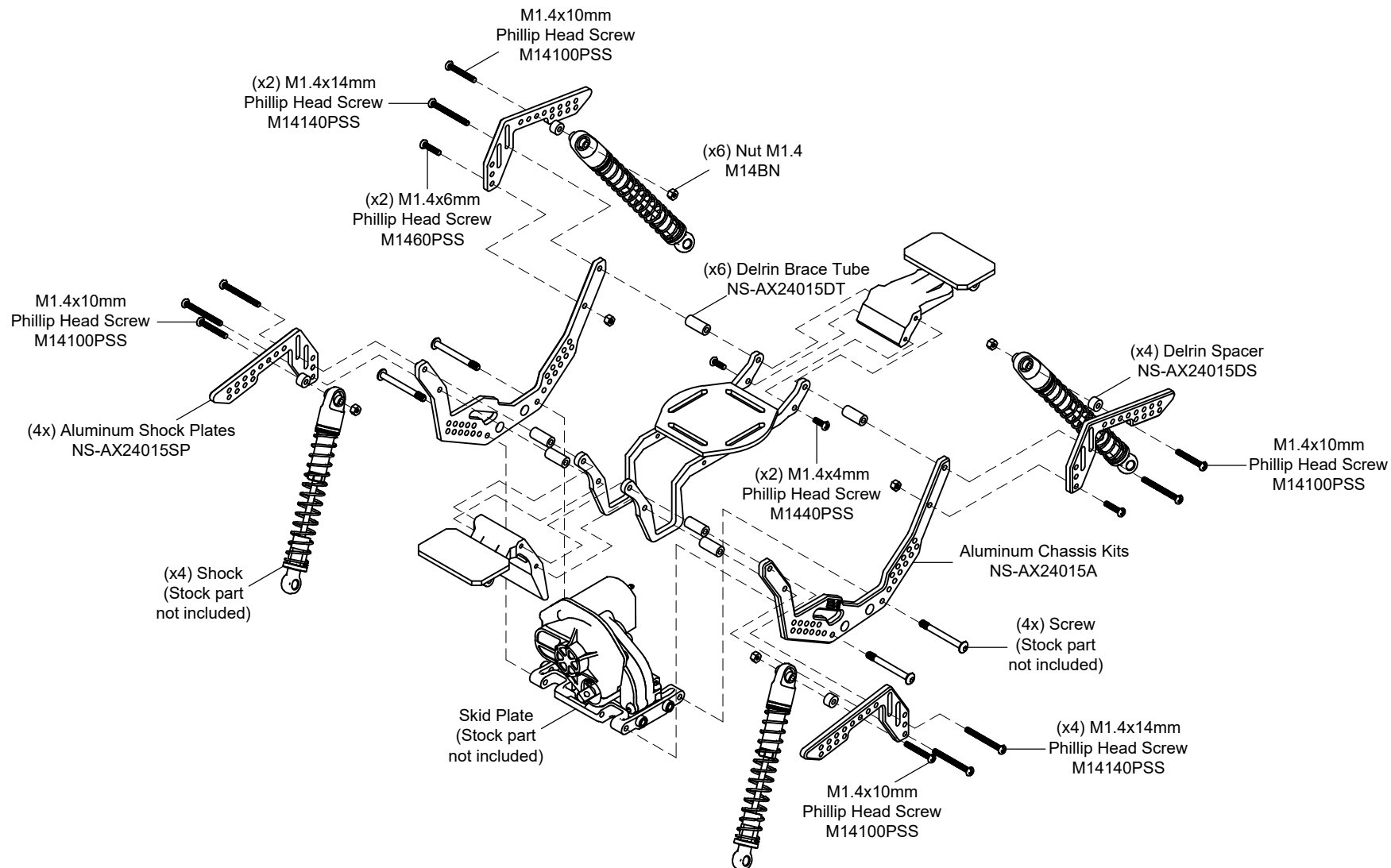
CNC Aluminum/Carbon LCG Chassis Kit - AXIAL AX24 INSTRUCTION

NEXXSPEED

COPYRIGHT © 2024 NEXXSPEED®

2

CNC ALUMINUM / CARBON LCG CHASSIS KIT NS-AX24015L



CAUTION: Please check your model car carefully before attempt to run!

REV. AX24015L-110324-01

02